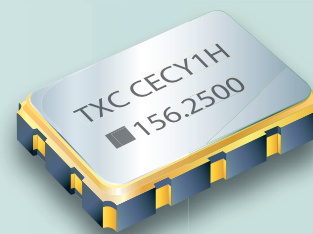


SMD LVDS Crystal Oscillators - Differential Output 5.0 x 3.2 x 1.2 mm CE Series

Oscillators
 Series

Features

- Fundamental solution.
- 3.3V and 2.5V operation available.
- LVDS output, output frequencies 25 MHz to 200 MHz.
- Excellent low phase noise and jitter.
- Tri-State function available.
- Applications : Fibre Channel, Gigabit Ethernet, Serial ATA, Serial Attached SCSI, PCI-Express, SDH/SONET.
- RoHS Compliant / Pb Free.

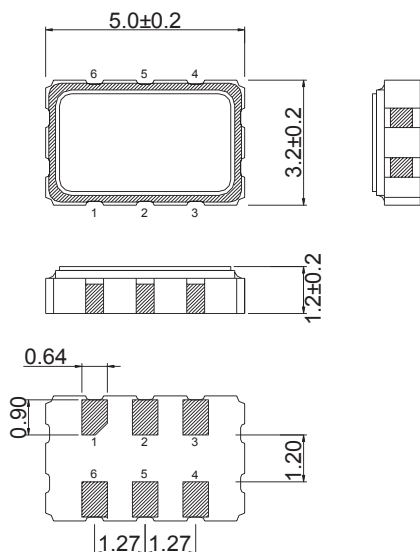


Electrical Specifications

| Item / Type | CE |
|------------------------------------------------|----------------------------------------------|
| Output Type | LVDS |
| Output Load | 100 Ω |
| Oscillation Mode | Fundamental |
| Supply Voltage | 2.5 V , 3.3 V |
| Frequency Range | 25 ~ 200 MHz |
| Overall Frequency Stability * | ± 50 ppm , or specify |
| Operating Temperature Range | - 10 ~ + 70 °C , - 40 ~ + 85 °C , or specify |
| Storage Temperature Range | - 55 ~ + 125 °C |
| Voltage Vol (Min.) / Voh (Max.) | 0.9 V / 1.6 V |
| Rise (Tr) / Fall (Tf) Time (20 % ~ 80 %) | 1 nS Max. |
| Supply Current | 80 mA Max. |
| Symmetry | 45 ~ 55 % |
| Start-up Time | 10 mS Max. |
| Phase Jitter (12 KHz ~ 20 MHz) | 1 pS Max. |

* Inclusive of frequency tolerance at 25 °C, variation over temperature, supply voltage variation, aging and vibration.

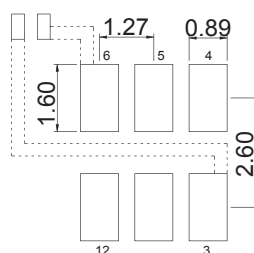
Dimensions



Pin Function:

1. Enable Control or NC
2. Enable Control or NC
3. GND
4. OUT
5. OUTN
6. VDD

Land Pattern:



※ Pad dimension tolerance ±0.2 mm

※ Power Supply Decoupling Capacitor is Required.
 ※ Pad dimension tolerance ±0.2 mm

Units: mm

Remark : Specification subject to change without prior notice. Please confirm with our sales. <http://www.txccorp.com>