



### Applications

- Cordless Telephones / Facsimile / Computer Clocks

### Features

- Dimensions (5.0 × 3.2 × 1.1)
- Ceramic SMD Package
- Glass Sealed
- Tight Tolerance and Stability
- Reflow Soldering / Emboss Taping
- Compliant products with AEC-Q200

### Specifications



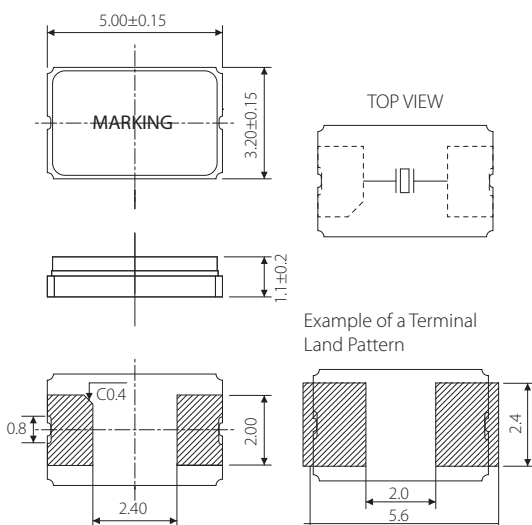
Model	GX-50322, GX-50324	
Nominal frequency range	8.000 ~ 54.000 MHz	45.000 ~ 60.000 MHz
Crystal cut	Fundamental [AT-cut]	3rd overtone [AT-cut]
Storage temperature range	-40 ~ +90°C ; -40 ~ +125°C (For AEC-Q200)	
Operating temperature range	-10 ~ +70°C , -40 ~ +85°C	
Frequency temperature characteristics (Ref. to +25°C)	± 30 × 10 <sup>-6</sup> (-10 ~ +70°C), ± 50 × 10 <sup>-6</sup> , ± 100 × 10 <sup>-6</sup>	
Frequency tolerance (at +25°C)	± 30 × 10 <sup>-6</sup> , ± 50 × 10 <sup>-6</sup>	
Equivalent series resistance	80 Ω : 8.000 ~ 9.999 MHz 50 Ω : 10.000 ~ 11.999 MHz 40 Ω : 12.000 ~ 54.000 MHz	90 Ω : 45.000 ~ 60.000 MHz
Load capacitance	series, 10pF, 12pF, 16pF, 18pF, 20pF	
Shunt capacitance	5pF max.	
Level of drive	10 μW (100 μW max.)	

Package quantity: 1,000pcs max./Reel.  
The product is suitable for Car multimedia, Car accessory application.

### Outline and Dimensions [unit:mm]

Maximum marking length		Marking
line1	line2	
7	7	Laser
ex.)		16. 0GA SIWARD

#### GX-50322



#### GX-50324

