



TUNING FORK UNIT

SF-2012、SF-2012L

New Product

Applications

• Consumer Mobile Equipment

Features

• Small / Low Profile (2.0×1.2×0.6) • Ceramic Package • Pb Free , Reflow Compatible

Specifications

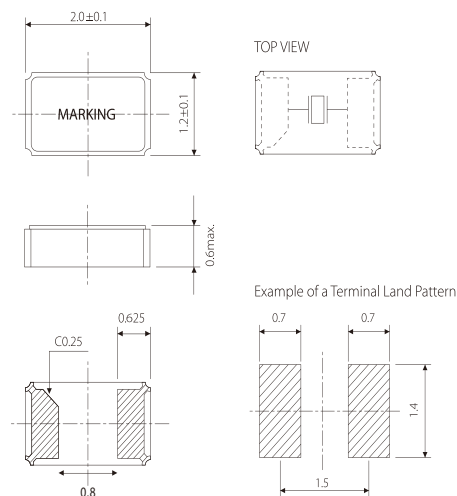


Model	SF-2012	SF-2012L
Nominal frequency range	32.768 kHz	32.768 kHz
Storage temperature range	-40~+85°C	-40~+85°C
Operating temperature range	-40~+85°C	-40~+85°C
Frequency tolerance (at +25°C)	$\pm 20 \times 10^{-6}$	$\pm 20 \times 10^{-6}$
Load capacitance	6pF,7pF,9pF,12.5pF	6pF,7pF,9pF,12.5pF
Equivalent series resistance	90 kΩ Max.	90 kΩ Max.
Shunt capacitance	1.3 pF Typ.	1.3 pF Typ.
Motional capacitance	5.0 fF Typ.	5.0 fF Typ.
Turnover Temperature	+25°C ±5°C	+25°C ±5°C
Parabolic Coefficient	-0.04 ppm / °C ² Max.	-0.04 ppm / °C ² Max.
Level of drive	0.1 μW (0.5 μW Max.)	0.1 μW (0.5 μW Max.)
Aging	±3ppm / Year	±3ppm / Year

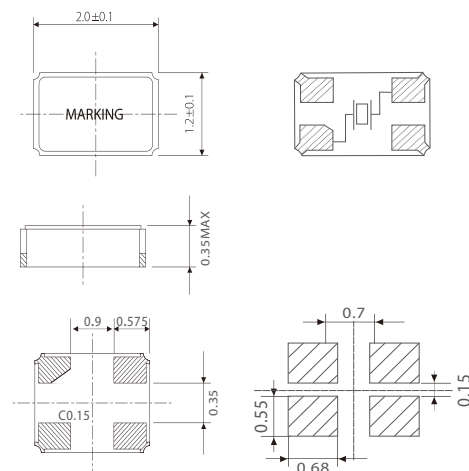
Package quantity: 3,000pcs max./Reel.

Outline and Dimensions [unit:mm]

SF-2012



SF-2012L



Maximum marking length	Marking
line1	
6	Laser
ex.)	S925AL