

Temperature Compensated Crystal Oscillators (TCXO, VCTCXO) Surface Mount Type TCXO (LSI Type) KT2016 Series



2.0×1.6mm



RoHS Compliant

Features

- Miniature SMD type (2.0×1.6×0.8mm)
- Freq. temp. characteristics:
: $\pm 2.0 \times 10^{-6}$ / -30 to +85°C
: $\pm 0.5 \times 10^{-6}$ / -30 to +85°C (for GPS)
- 1.68 to 3.63V available
- Reflow compatible
- Operating Temp. -40 to +105°C (Option)
- Ultra low supply current 800μA typ.
Conditions of 26MHz and 1.0Vp-p (Option)
- AEC-Q200 qualified
- AEC-Q100 qualified (Option)

Applications

- Mobile Communications, W-LAN
- Low power radio communications
- GPS Unit

How to Order

KT2016K 26000 A C W 18 T xx
① ② ③ ④ ⑤ ⑥ ⑦ ⑧

① Series	⑥ Supply Voltage
② Output Frequency	⑦ Voltage Control Function
③ Freq. Temp. Chrst.	⑧ Option Code
A $\pm 0.5 \times 10^{-6}$	18 1.8V 28 2.8V
B $\pm 1.0 \times 10^{-6}$	30 3.0V 33 3.3V
C $\pm 1.5 \times 10^{-6}$	T TCXO
D $\pm 2.0 \times 10^{-6}$	Other* VCTCXO
④ Lower Operating Temp.	* Customer Spec.
C -30°C	
E -20°C	
G -10°C	
⑤ Upper Operating Temp.	
W +85°C	
V +80°C	
U +75°C	

Packaging (Tape & Reel 15000 pcs./ reel)

Specifications

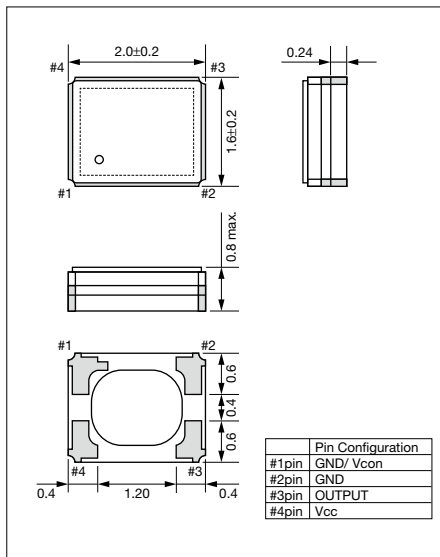
Item	Symbol	Conditions	Min.	Max.	Units
Output Frequency Range	f _o		10	52	MHz
Frequency Tolerance	f _{tol}	vs Temperature	-0.5/ -2	+0.5/ +2	×10 ⁻⁶
		vs Load	-0.2	+0.2	
		vs Voltage	-0.2	+0.2	
Frequency Aging	f _{age}	Per Year	-1	+1	×10 ⁻⁶
Storage Temperature Range	T _{stg}		-40	+85	°C
Operating Temperature Range	T _{use}		-30	+85	°C
Voltage Control Range	f _{cont}	Positive	±8	±15	×10 ⁻⁶
Supply Voltage	V _{cc}		1.68	3.63	V
Output Level	V _{pp}	Clipped Sine*, Load: 10k ohm // 10pF	0.8	—	Vp-p
Current Consumption	I _{cc}		—	2	mA
Harmonics	—		—	-5	dBc

* : A DC-cut capacitor is not embedded in this crystal oscillator. Connect a DC-cut capacitor (≥1nF) to the line-out terminal of the oscillator.

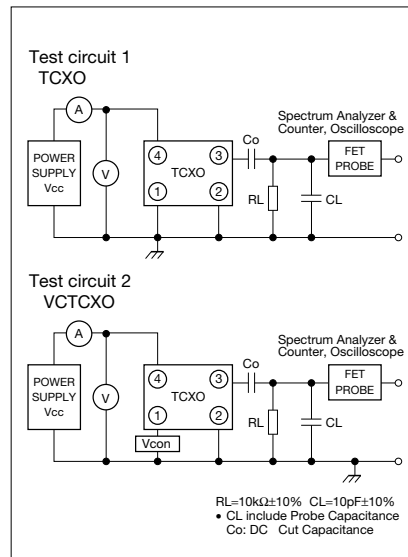
* Please contact us for other specifications.

Dimensions

(Unit: mm)



Test Circuit



Recommended Land Pattern

(Unit: mm)

